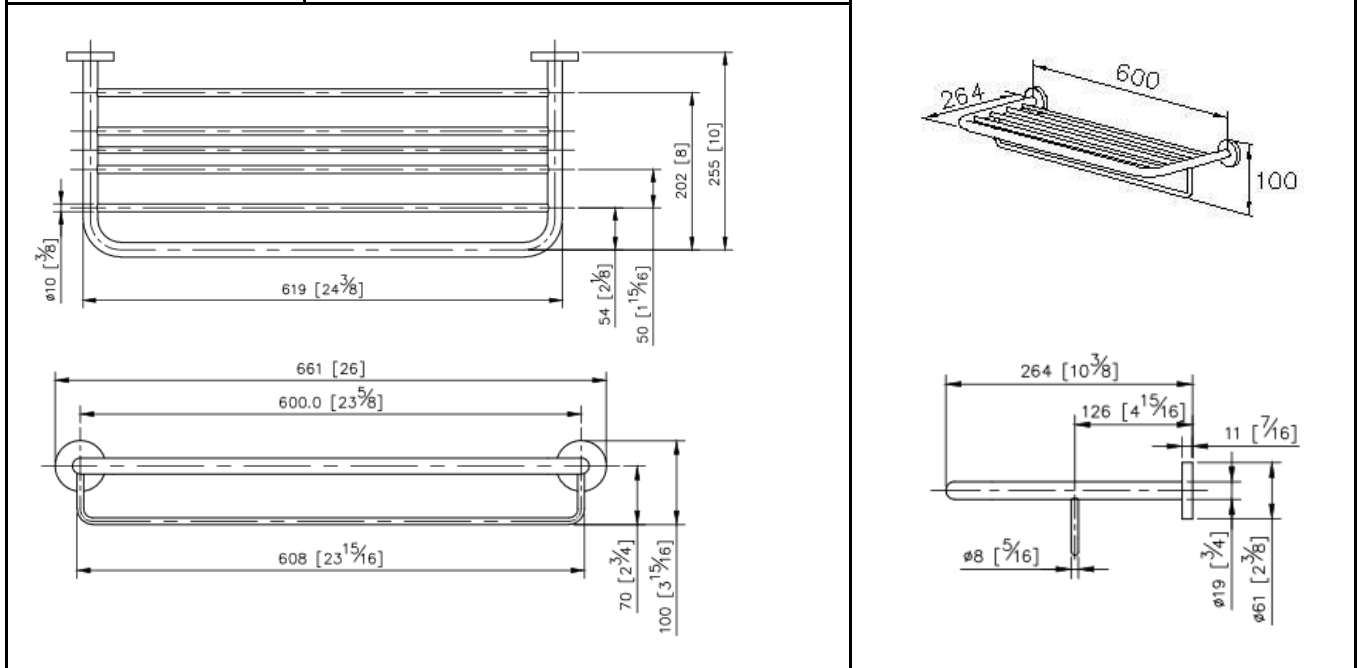




PROJECT		REF		REV	ITEM CODE	
LOCATION		DATE			PAGE	

SANITARY WARE SPECIFICATION SHEET

Item Descriptions	Justime (Taiwan) Bath towel rack with rail	Illustration/ Drawing
Dimensions	L600 x W264 x H100 mm	
Model	6810-66-80CP	
Material / Finish	Brass / Chrome Plated	
Manufacturer	Justime (Taiwan)	
Source	Acme Sanitary Ware Co. Ltd Mr. Eric Wong/ Mr. Don Yuen	
Contact Tel/Fax	(852) 2388-7171 / (852) 2710-8012	
E-mail	acme@acmesanitary.com.hk	
Website	www.acmesanitary.com.hk	



Note:

* All information of the above is for the reference only. No prior notice is made if any changes.